


1/10 SCALE INSTRUCTIONS MANUAL



**Caution: This model is not a toy, It is designed for user over 14 years of age.
Thank you for purchasing this Remo Hobby product.
Please read these instructions carefully before operating this product and retain
them for future reference.
The images shown in this manual are for illustrative purposes only.**

CAUTIONS

 To prevent serious personal injury and/or property damage, operate all remotely controlled models in a responsible manner as outlined herein.

CHOOSE THE RIGHT PLACE TO OPERATE YOUR R/C MODEL.

- Do not run on public streets or highways. This could cause serious accidents, personal injuries, and/or property damage.
- Never run R/C models near people or animals.
- To avoid injury, do not run in confined spaces.
- Do not run where loud noises can disturb others, such as hospitals and residential areas.
- Never run indoors. There is a high risk of fire and/or damage.

INSPECT YOUR MODEL BEFORE OPERATION.

- Make sure that all screws and nuts are properly tightened. It is also a good idea to use removable thread lock wherever metal screws go into metal, especially for engine mounts and the engine pilot shaft.
- Always use fresh batteries for your transmitter and for your receiver to avoid losing control of the model.
- Always test the brakes and throttle before starting your engine to avoid losing control of the model.
- Make sure no one else is using the same radio frequency as you are using.

AFTER OPERATION OF YOUR R/C MODEL

- Turn off receiver first, then turn off transmitter, this will prevent runaways.
- Be careful when handling batteries, they will be hot after running.
- Replace any batteries that have been dented or have frayed wires, short circuits can cause fire.
- Be sure to keep your R/C model clean and free of excess dirt and grease, this will increase the life.

**This manual is a car maintenance manual
please read carefully before use and operation**

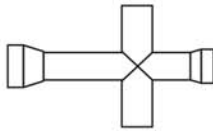
1/10 SCALE OFF-ROAD 4WD SERIES MANUAL

Addition Accessories 配送工具

Hex Wrench 六角扳钳

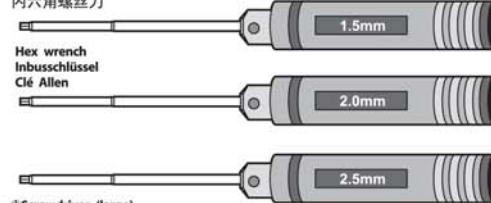


Small Cross Tool 小十字套筒



Tools Recommended 推荐工具

Hex screwdrivers 内六角螺丝刀



Hex wrench Imbusschlüssel Clé Allen
#Screwdriver (large) #Schraubenzieher (gross) Tournevis # (gros)
Modeling knife Modelliermesser Couteau de modeliste 刮刀



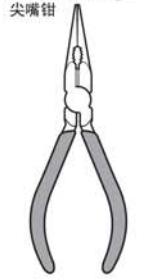
Side cutter Seitenschneider Pincis coupantes 剪钳



Curved scissors Schere Ciseaux 剪刀



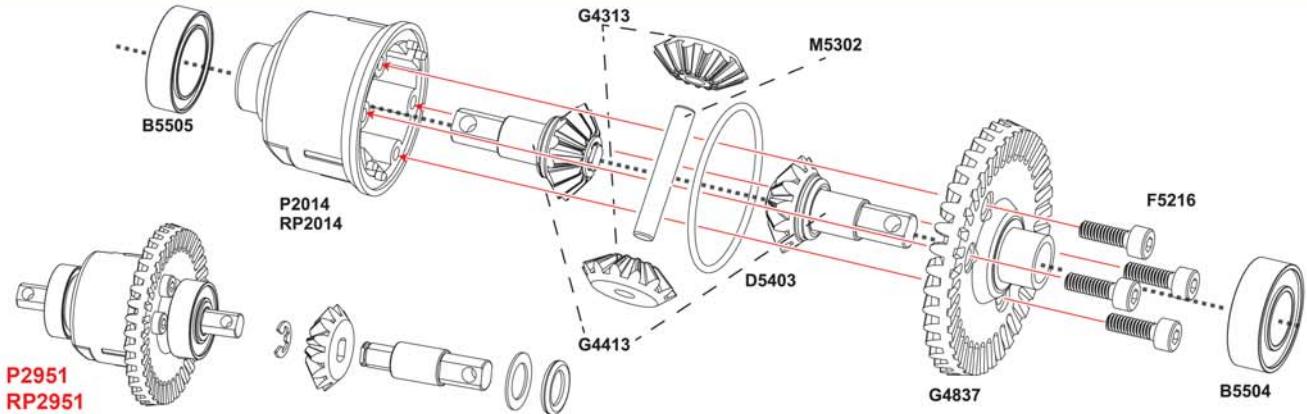
Long nose pliers Flachzange Pincis à becs longs 尖嘴钳



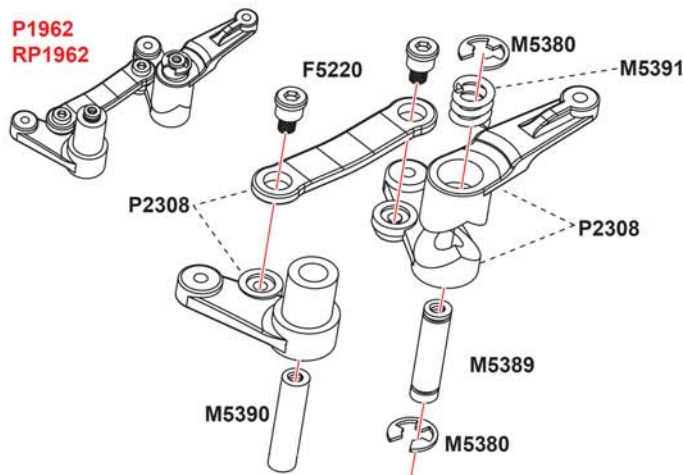
Model Glue 模型胶水



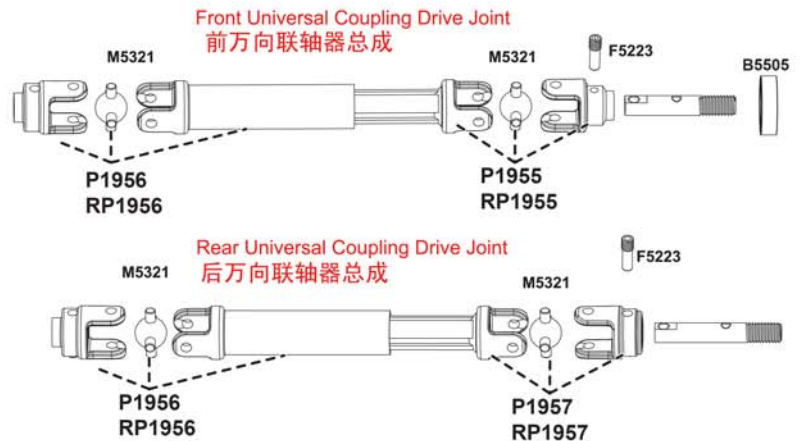
Differential Gear Box Assembly 差速器总成

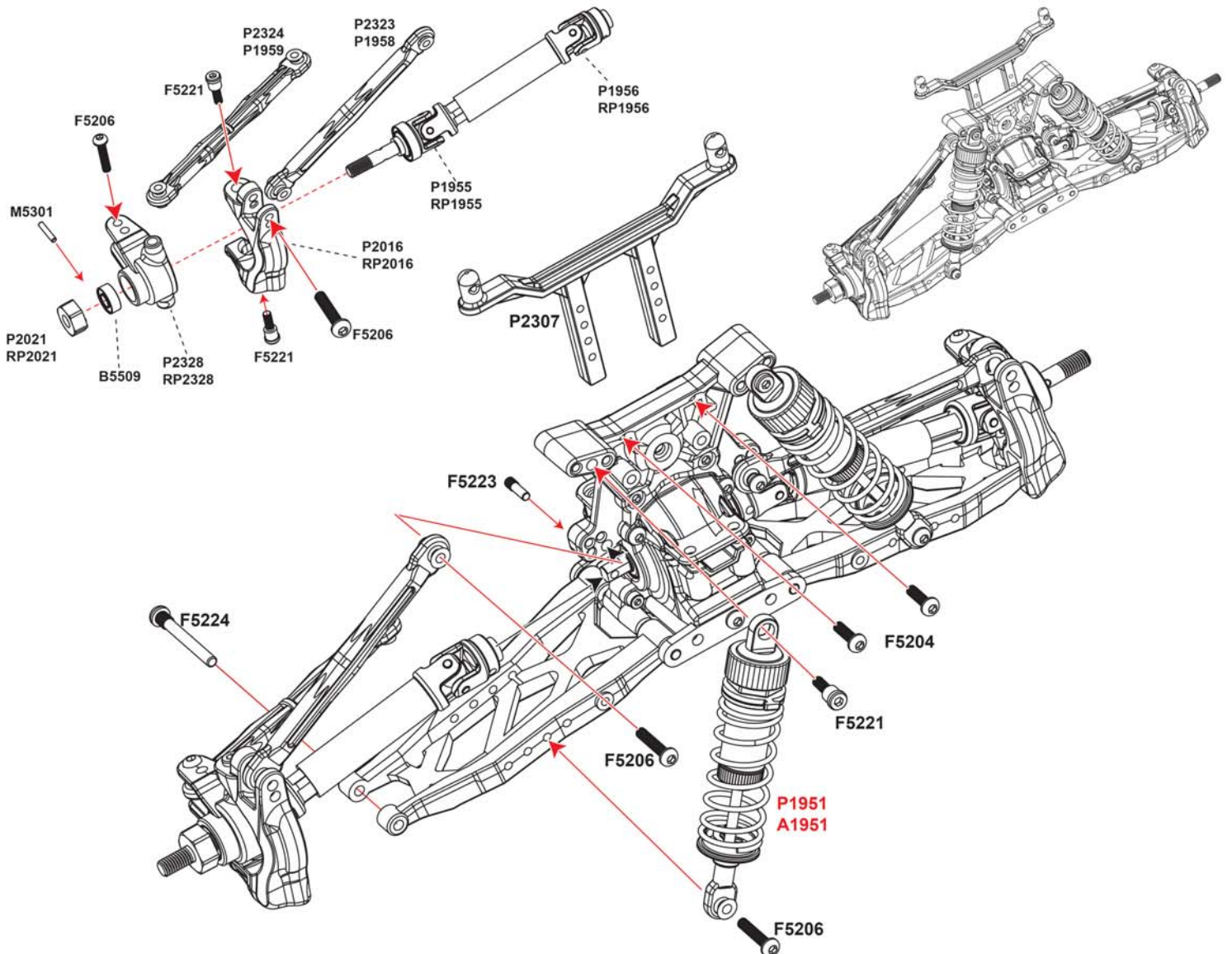
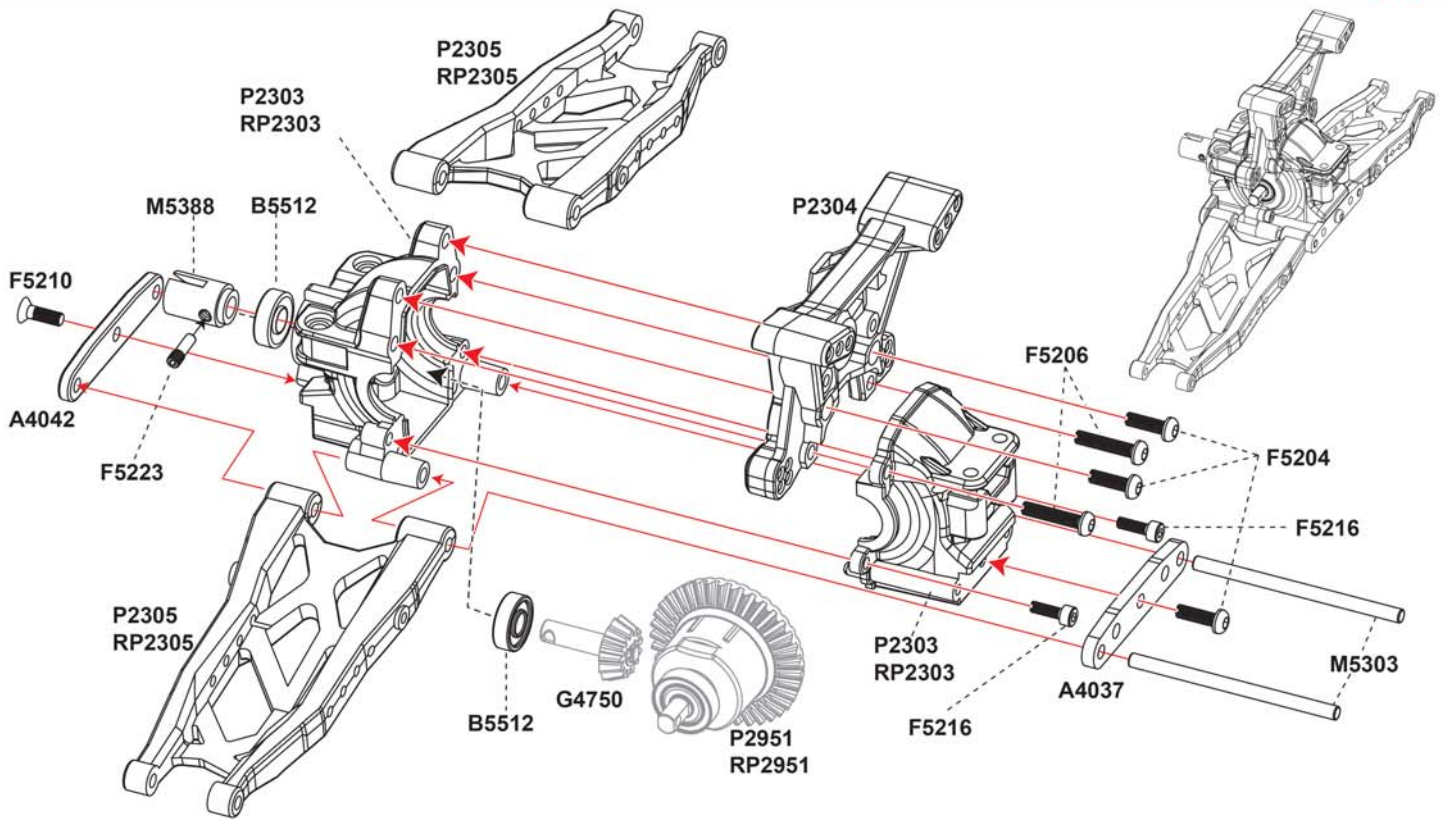


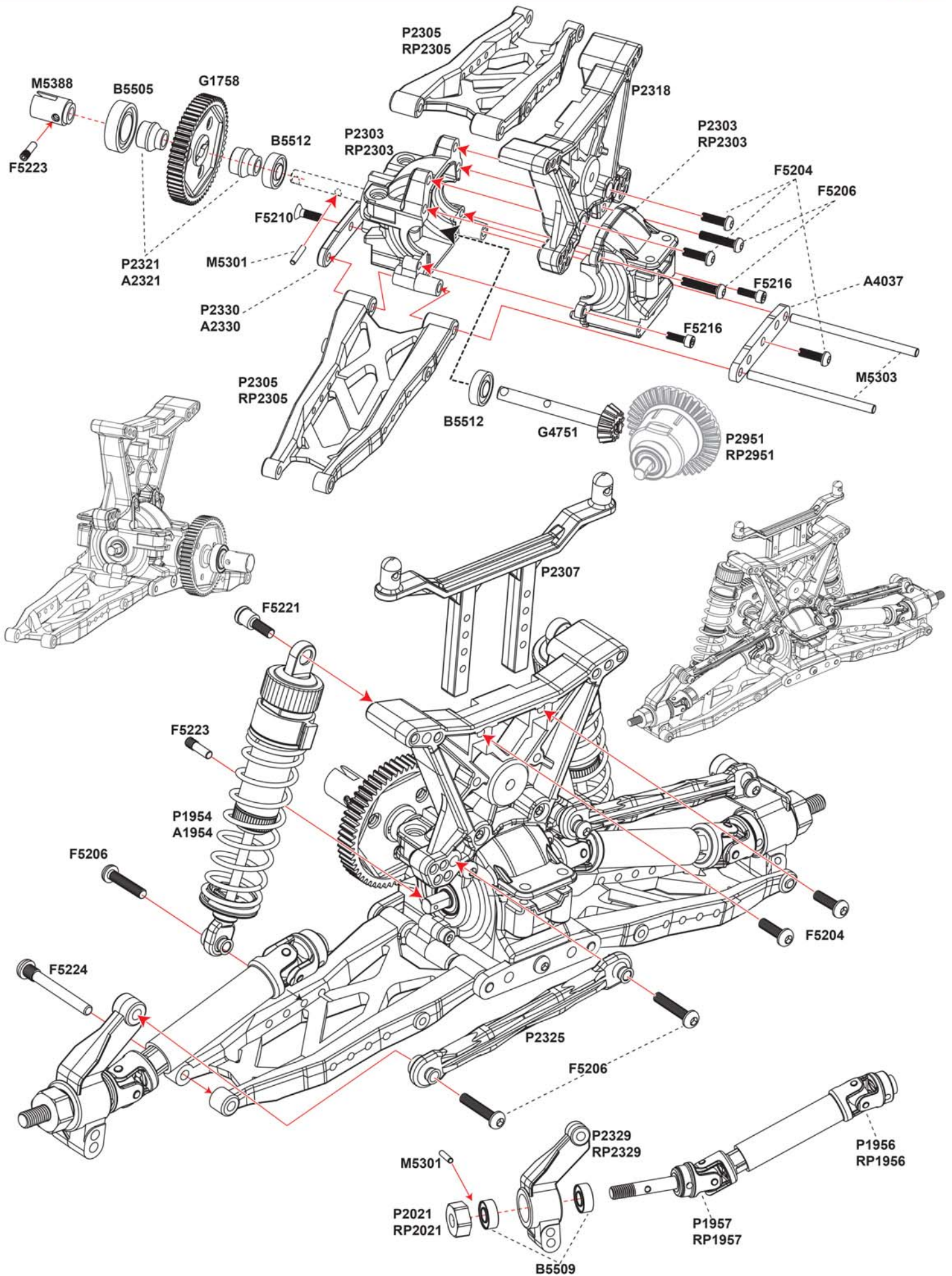
Servo Saver/Steering Assembly 转向缓冲总成

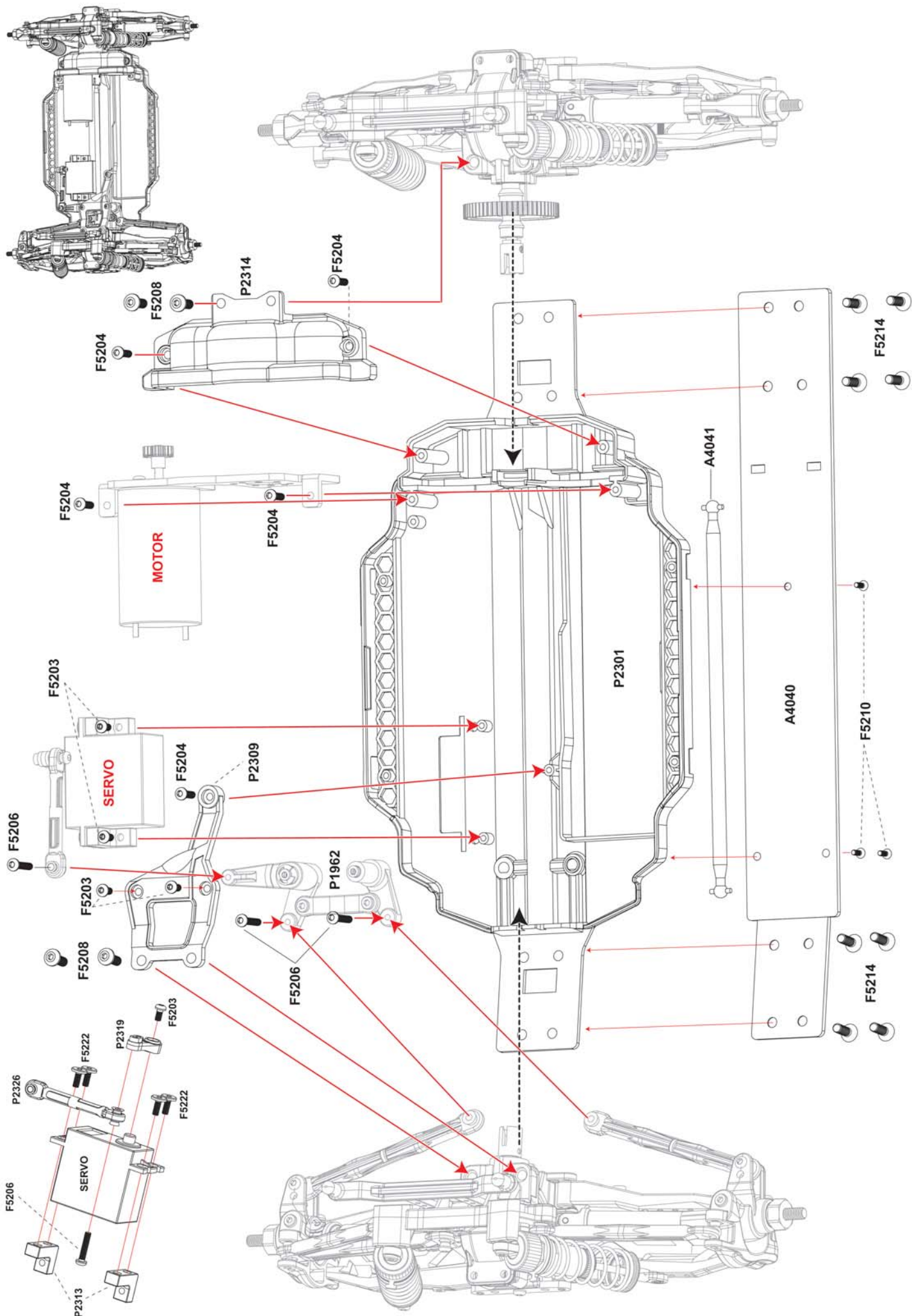


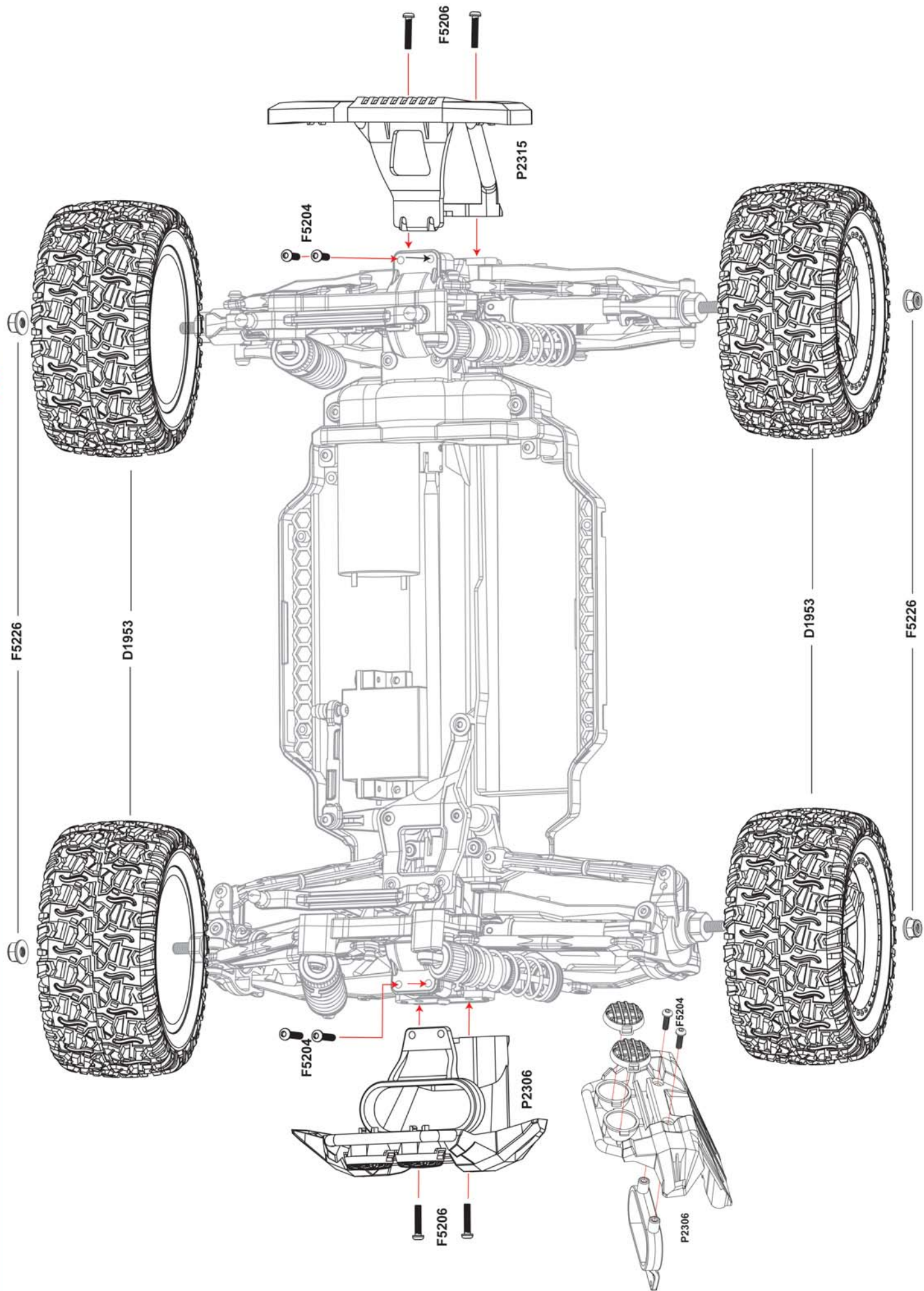
Universal Coupling Drive Joint 万向联轴器总成

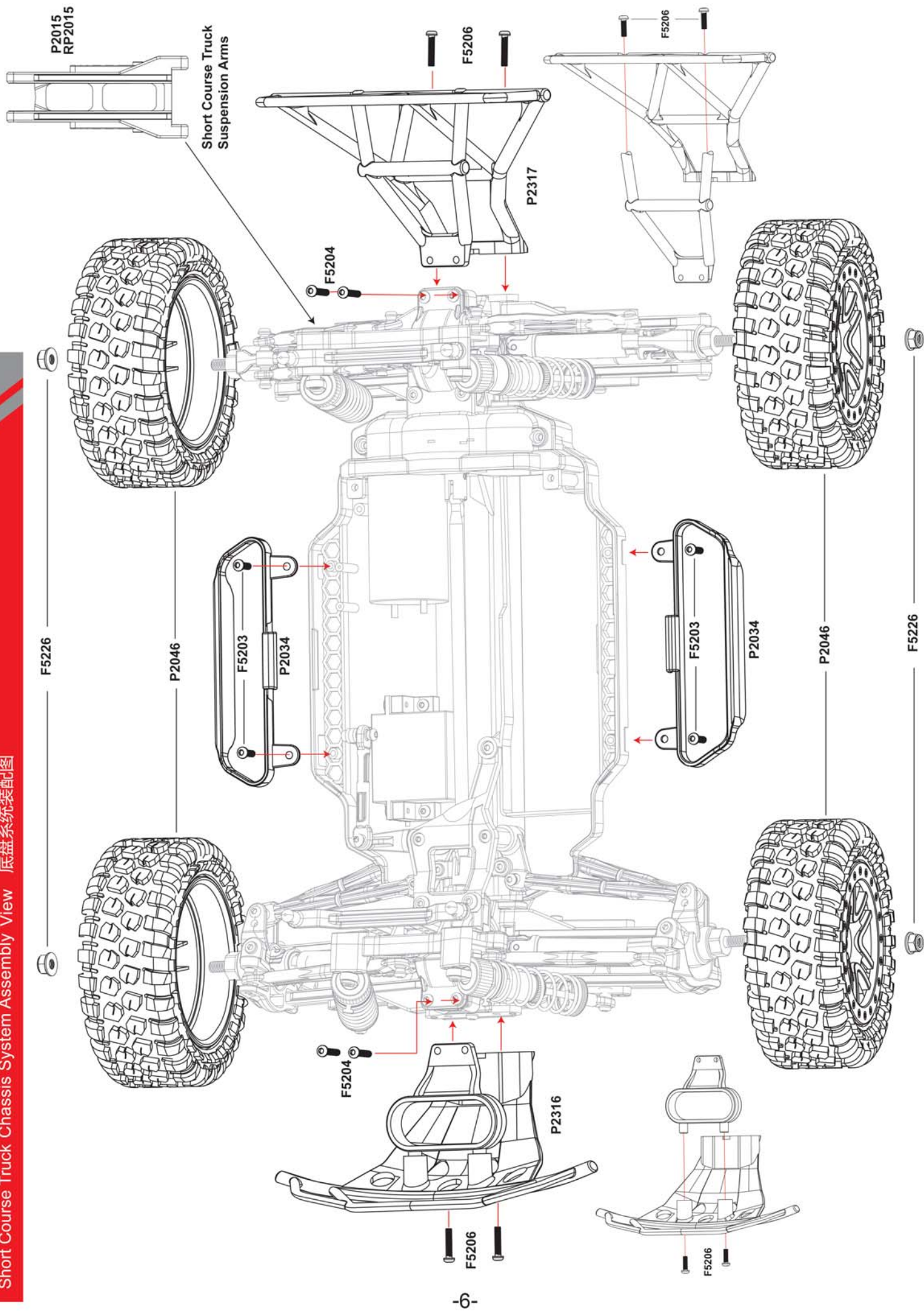


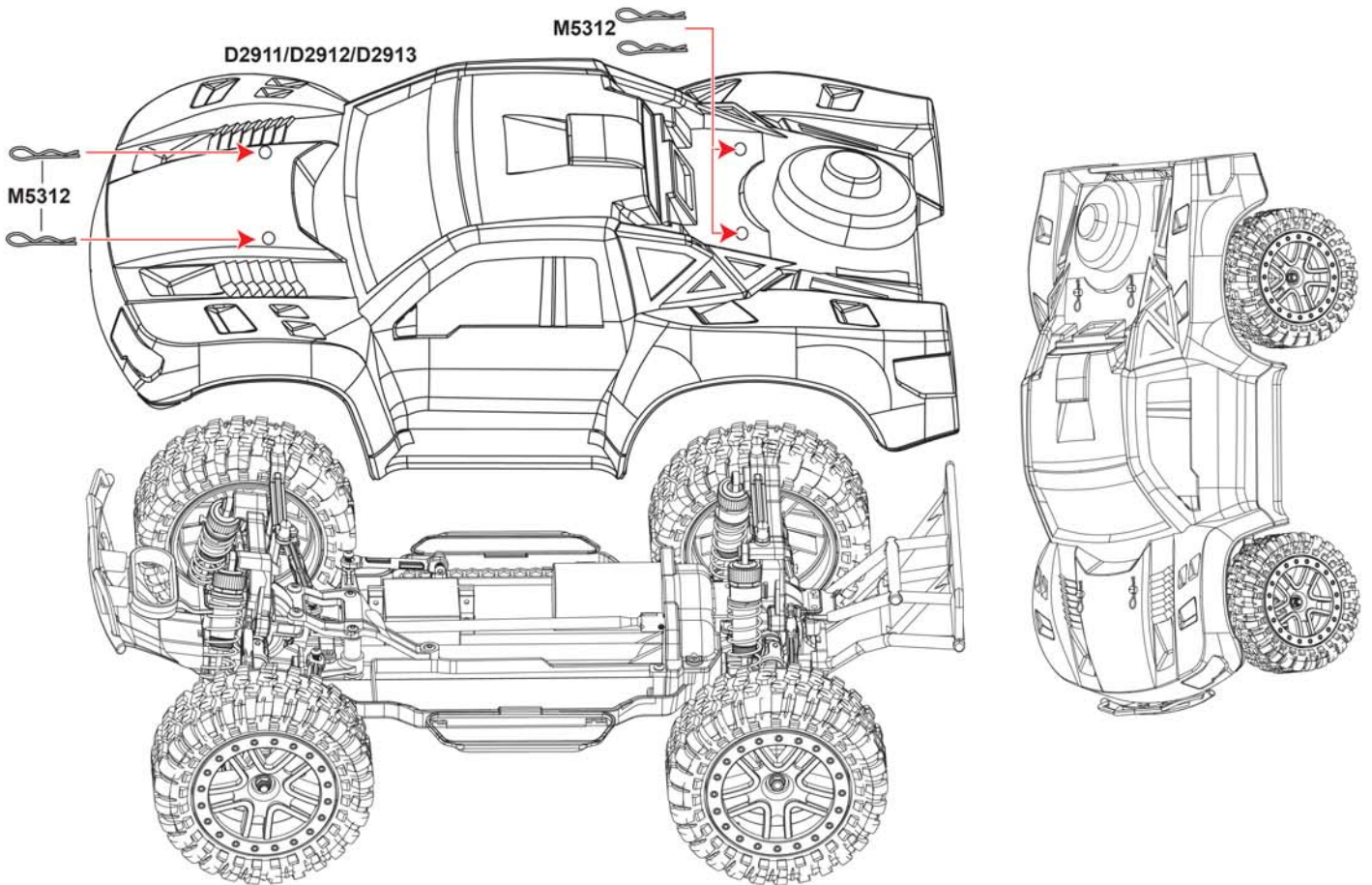
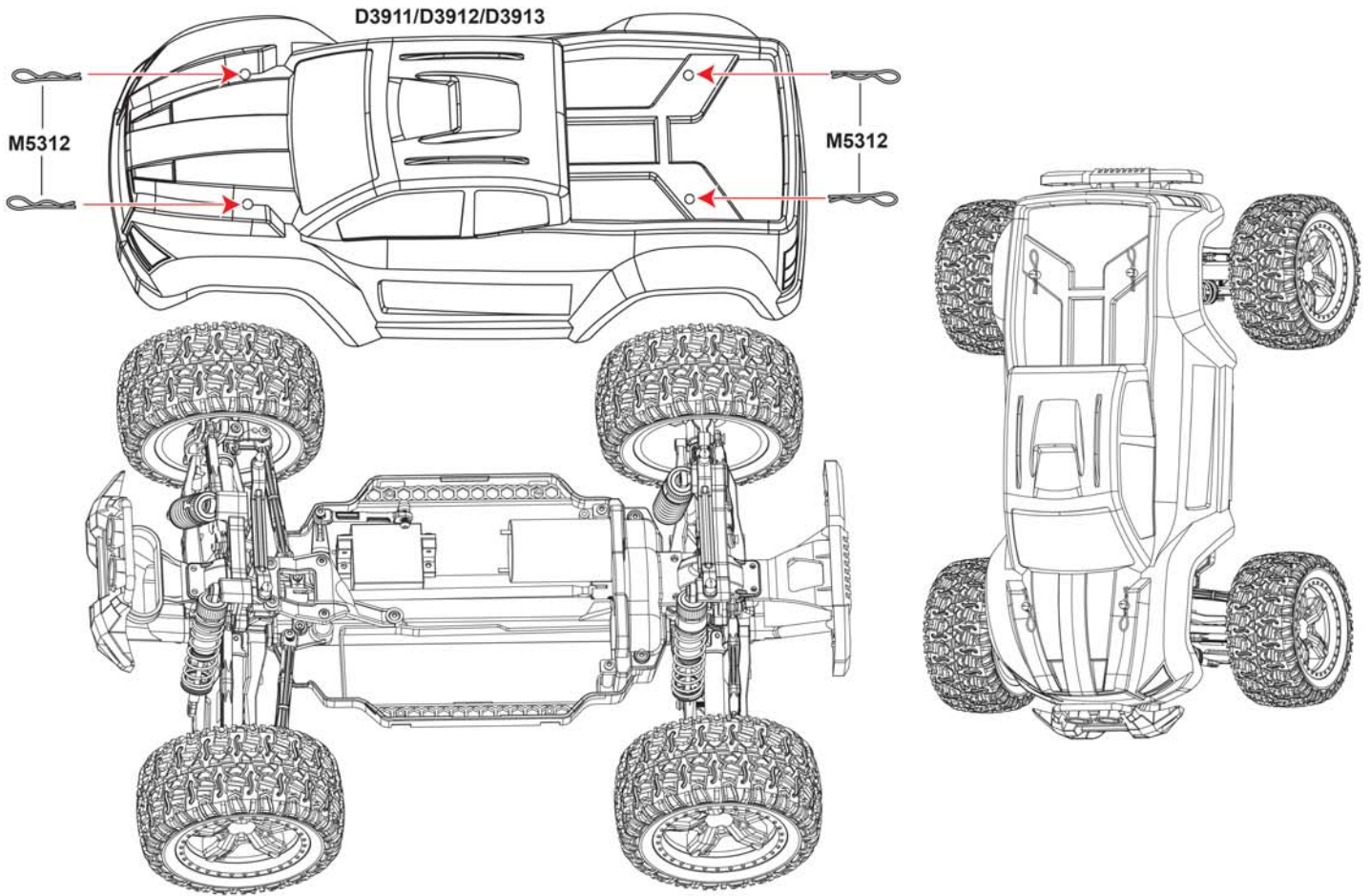




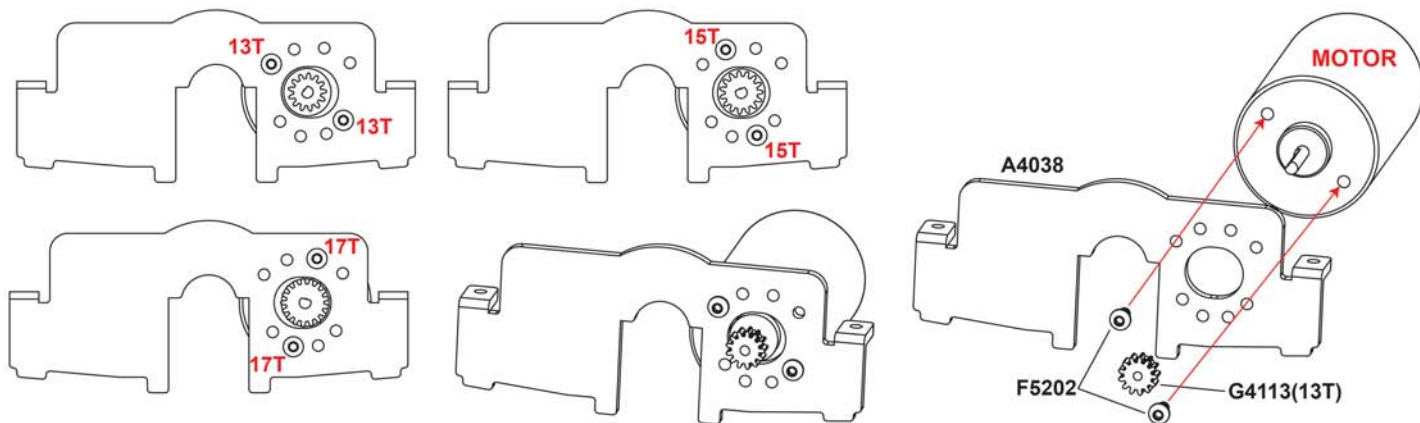




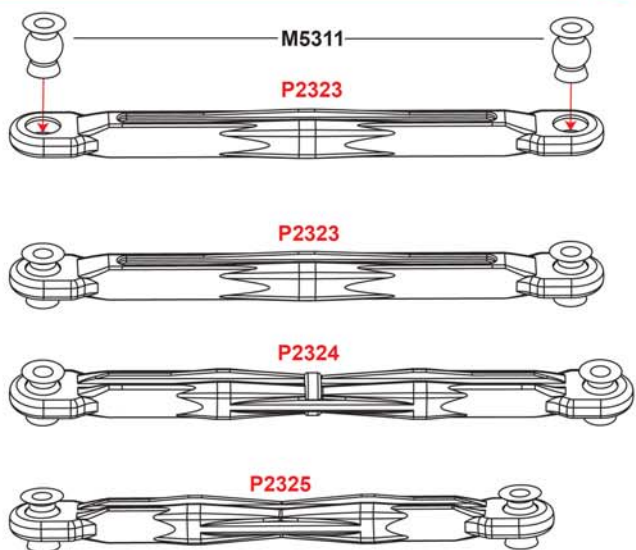




Motor pinion gear 马达齿轮 T 数安装图

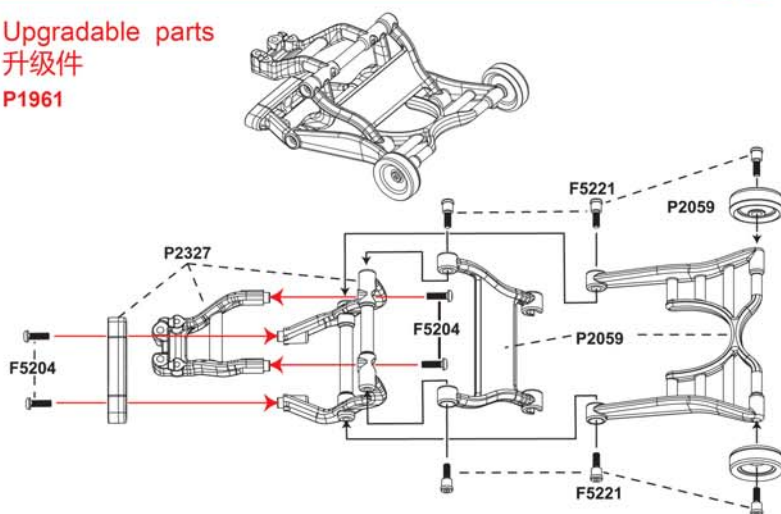


Ends rear 拉杆安装图

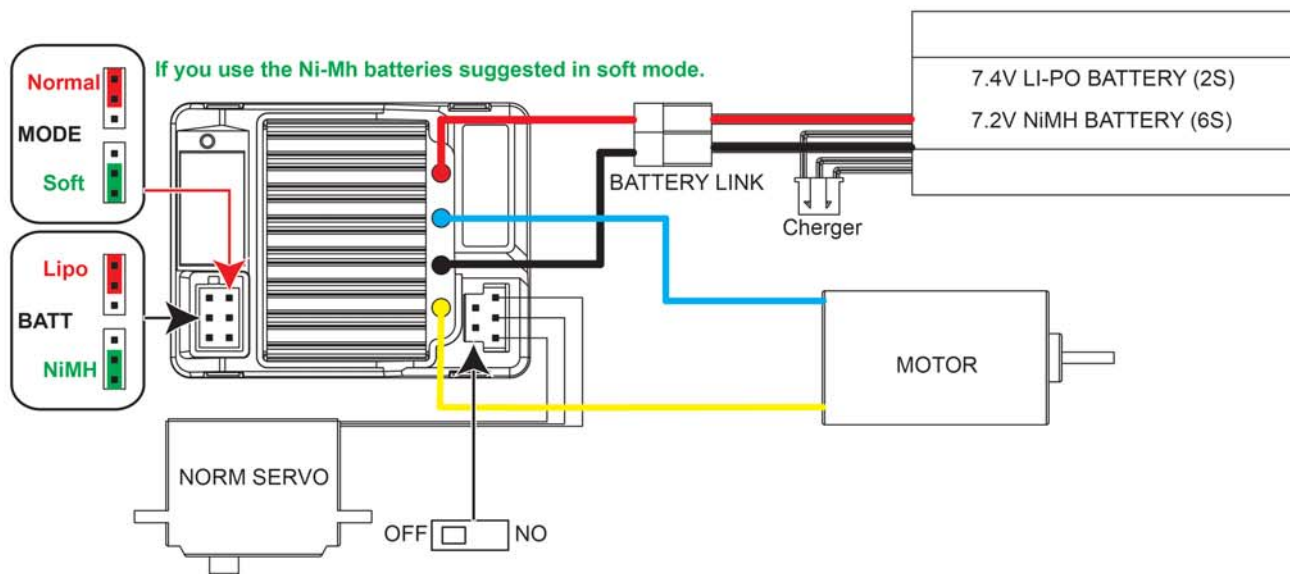


Wheelie bar Assembly 抬头架总成

Upgradable parts
升级件
P1961



Electronic diagram of system installation 电子系统安装图



Caution:
due to technique updates constantly,
pictures are for reference only,
products are subject to availability.

由于技术不断更新，配件、数据
和图片有所不同，以实物为准！

1/10 Sale parts view 配件销售图



A1951

Front Alloy High-capacity
Damp GTR Shocks
合金前避震器



A1952

Rear Alloy High-capacity
Damp GTR Shocks
合金后避震器



A4006

Motor Heat Guard(540/550)
电机散热片



A4037

Bulkhead Tie Bars
摇臂杆铝片



A4038

Plate motor
马达固定片



A4040

Chassis Alloy Plate
铝合金底板



A4041

Center Driver Shaft
合金主驱动轴



A4042

Bulkhead Tie Bars
摇臂杆铝片



A4043

Chassis Stiffener
底盘加强杆



B5502

Ball Bearings $\Phi 5 \times \Phi 11 \times 4 \text{mm}$
滚动轴承



B5504

Ball Bearings $\Phi 8 \times \Phi 16 \times 5 \text{mm}$
滚动轴承



B5505

Ball Bearings $\Phi 10 \times \Phi 15 \times 4 \text{mm}$
滚动轴承



B5509

Ball Bearings $\Phi 5 \times \Phi 9 \times 3 \text{mm}$
滚动轴承



B5512

Ball Bearings $\Phi 5 \times \Phi 13 \times 4 \text{mm}$
滚动轴承



D2911

Clear Short
Coursec Body Shell
1/10 透明短卡车壳



D2912

Red Short
Coursec Body Shell
1/10 红色短卡车壳



D2913

Blue Short
Coursec Body Shell
1/10 蓝色短卡车壳



D3911

Clear Monster Truck
BodyShell
1/10透明大脚车壳



D3912

Red Monster Truck
BodyShell
1/10红色大脚车壳



D3913

Blue Monster Truck
BodyShell
1/10蓝色大脚车壳

1/10 Sale parts view 配件销售图



D5406

Battery Bandage
电池绑带



E9222

Battery NiMH SC 7.2V 2500mAh
镍氢电池大田宫头



E9291

Nimh AC/DC Adapter
镍氢充电器



E9333

7.4V Li-po 3300mAh Battery
锂电池



E9343

7.4V Li-po 4200 mAh Battery
锂电池(with Box)



E9393

Li-Po Balance Charger
2S 7.4V/3S 11.1V
2S/3S锂电平衡充电器



E9573

Waterproof Brushless ESC
防水无刷电调



E9651

Motor 550(RPM~18000/7.2V)
有刷电机



E9632

Brushless Motor(3650)
无刷电机



E9905

Waterproof Brushed ESC
防水有刷电调



E9811 ...

Servo
舵机



E9821 ...

Metal Gear Servo
金属齿轮舵机



RH1 (V2)

2.4G Transmitter
遥控器



RH2

2.4G Transmitter
Match E9922
遥控器



E9922

Waterproof Receiver 2.4G
Match RH2
接收器

1/10 Sale parts view 配件销售图



F5201 ● 8pc

Hex Socket Button Head
M2.5x6mm
内六角半圆头螺丝



F5203 ● 8pc

Hex Socket Button Head
M3x6mm
内六角半圆头螺丝



F5204 ● 8pc

Hex Socket Button Head
M3x10mm
内六角半圆头螺丝



F5205 ● 8pc

Hex Socket Button Head
M3x12mm
内六角半圆头螺丝



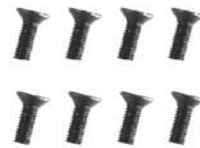
F5206 ● 8pc

Hex Socket Button Head
M3x15mm
内六角半圆头螺丝



F5208 ● 8pc

Hex Socket Button Head
M4x10mm
内六角半圆头螺丝



F5210 ● 8pc

Hex Socket Flat Head
M3x8mm
内六角平头螺丝



F5214 ● 8pc

Hex Socket Flat Head
M4x10mm
内六角平头螺丝



F5216 ● 8pc

Hex Socket Cap-head
M2.5x8mm
内六角杯头螺丝



F5220 ● 8pc

Hex Socket Shoulder
M3x9mm
内六角台阶螺丝



F5221 ● 8pc

Hex Socket Shoulder
M3x12mm
内六角台阶螺丝



F5222 ● 8pc

Hex Socket Flat Head
M3x6mm
内六角大平头螺丝



F5223

Hex Socket Screws
M3x2.5x10mm
内六角螺丝



F5224 ● 4pc

Suspension Pin Set
轮座轴紧固件



F5226

Nylon Locking(M4)
防松螺丝



F5228 ● 8pc

Hex Socket Set Screws
M3x3mm
内六角紧定螺丝



G1758

Gear(0.7M58T)
主从动齿轮



G4313

Spider Gears
差速从动齿轮



G4413

Output Gears
差速驱动齿轮



G4837

Ring Gear Differential
差速从动齿轮

1/10 Sale parts view 配件销售图



G4750

Front Ring Gears
前差速主动齿轮



G4751

Rear Ring Gears
后差速主动齿轮



G4113

Gears Set Screen(0.7-13T)
电机齿轮



G4115

Gears Set Screen(0.7-15T)
电机齿轮



M5301

Axle Pins Φ2*mm10
轴销



M5302

Axle Pins Φ3*mm20
轴销



M5303

Suspension Pin Set
摇臂轴柱



M5388

Drive Gear Link
驱动接杯



M5311

Hollow Balls(Φ5.75*8mm)Metal
球头(金属)



M5312

Body Clips
车壳铁销



M5322

Spanner
扳手



M5323

Small Cross Tool
十字套筒



P2301

Chassis
车底座



P2303

Housings Differential
差速箱壳



P2304

Front Shock Tower
前减震器座



P2305

Suspension Arms
摆臂



P2306

Front Bumper
前保险杠



P2307

Body Mount
车身壳架



P2309

Steering Bracket Press
转向支架压块



P2313

Servo Cover
伺服器固定块

1/10 Sale parts view 配件销售图



P2314

Cover Gear
齿轮盖



P2315

Rear Bumper
后保险杠



P2316

Front Bumper
前保险杠



P2317

Rear Bumper
后保险杠



P2318

Rear Shock Tower
后减震器座



P2319

Servo Arm
伺服臂



P2321

Bearing Pedestal
轴垫块



P2323

Rod Ends Front
前拉杆



P2324

Steering Rod Ends
转向拉杆



P2325

Rod Ends Rear
后拉杆



P2326

Linkage Steering
伺服器拉杆



P2328

Steering Blocks
转向块



P2329

Wheel Hubs
轮座固件



P2015

Suspension Arms
摆臂



P1951

Front Alloy Cap Shock
前避震器



P1952

Tires Assembly
轮胎总成



P1953

Tires Assembly
大脚车轮胎总成



P1954

Rear Alloy Cap Shock
前避震器



P1955

Front Universal Coupling Drive Joint
前轮驱动轴管



P1956

Universal Coupling Drive Joint
驱动轴管

1/10 Sale parts view 配件销售图



P1957

Rear Universal Coupling Drive Joint
后轮驱动轴管



P1958

Rod Ends Front
前拉杆



P1959

Steering Rod Ends
转向拉杆



P1960

Rod Ends Rear
后拉杆



P1961

Wheelie Bar Assembly
抬头架总成



P1962

Steering Bellcranks
转向缓冲总成



P2951

Differential Gear Assembly
差速总成



RP2015

Suspension Arms
摆臂



RP2303

Housings Differential
差速箱壳



RP2305

Suspension Arms
摆臂



RP2309

Steering Bracket Press
转向支架压块



RP2313

Servo Cover
伺服器固定块



RP2314

Cover Gear
齿轮盖



RP2319

Servo Arm
伺服臂



RP2321

Bearing Pedestal
轴垫块



RP2328

Steering Blocks
转向块



RP2329

Wheel Hubs
轮座固件



RP1955

Front Universal Coupling Drive Joint
前轮驱动轴管



RP1956

Universal Coupling Drive Joint
驱动轴管



RP1957

Rear Universal Coupling Drive Joint
后轮驱动轴管

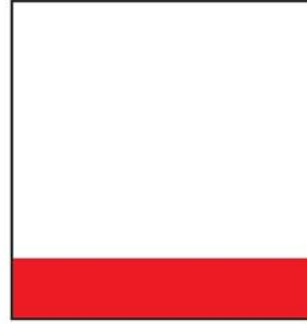
1/10 Sale parts view 配件销售图



Corss Ball
十字万向球



Corss Ball Group (Steel)
组合式十字万向球 (钢)



Caution:
due to technique updates constantly,
pictures are for reference only,
products are subject to availability.

由于技术不断更新，配件、数据
和图片有所不同，以实物为准！